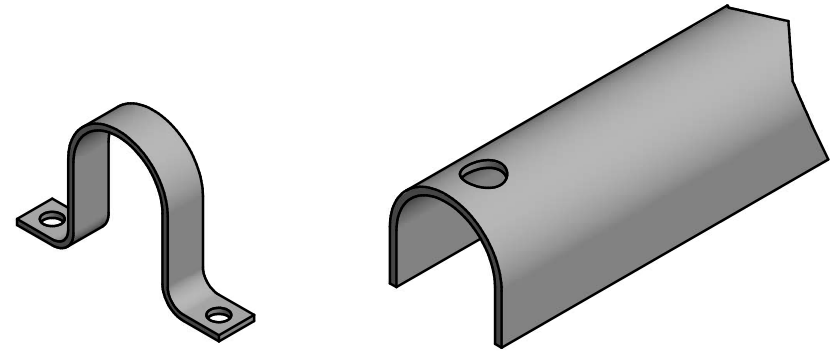
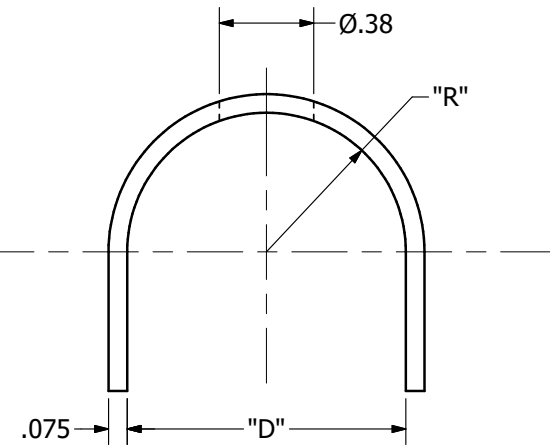
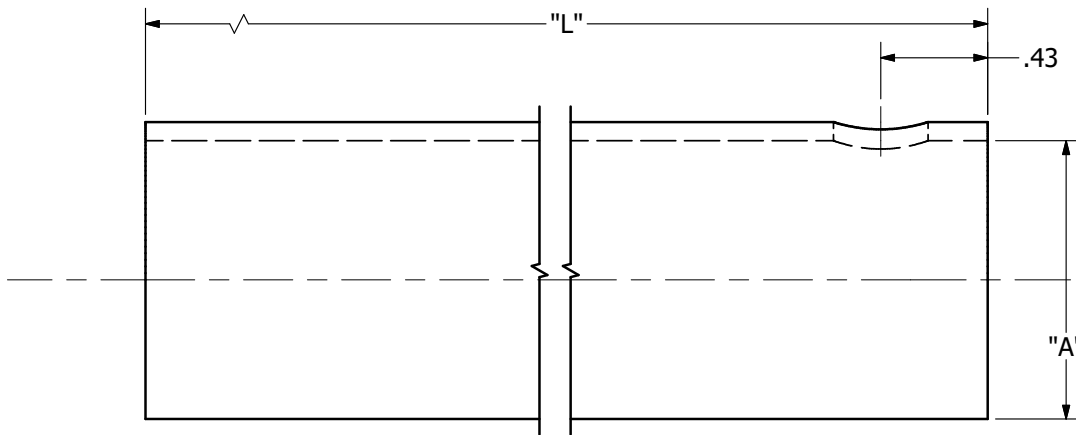


CATALOG NO.	"L"	"A"	"D"	"R"	MOUNTING STRAP NOTE-3
6531	5'	1.13	1.12	0.56	6538
653112	8'	1.13	1.12	0.56	6538
6532	5'	2.19	2.18	1.09	6539
6533	8'	2.19	2.18	1.09	6539
6534T	5'	3.19	3.18	1.59	6540
6535	8'	3.19	3.18	1.59	6540
C2030450	8'	0.67	0.75	0.375	C2030455
C2030451	8'	3.69	3.68	1.84	C2030456
C2030452	5'	0.67	0.75	0.375	C2030455



MOUNTING STRAP

CABLE GUARD



-NOTES-

1. MATERIAL: STEEL
2. HOT DIP GALVANIZED PER ASTM A153 (LATEST REVSION)
3. CORRESPONDING MOUNTING STRAP SOLD SEPARATELY.

CHANCE ®		HUBBELL ® POWER SYSTEMS, INC.		HUBBELL POWER SYSTEMS, INC.	
CONFIDENTIAL: THIS DRAWING AND ITS CONTENTS ARE CONFIDENTIAL AND THE EXCLUSIVE PROPERTY OF HUBBELL POWER SYSTEMS. NO PUBLICATION, DISTRIBUTION, OR COPIES MAY BE MADE WITHOUT THE WRITTEN CONSENT OF HUBBELL POWER SYSTEMS, HUBBELL POWER SYSTEMS UNPUBLISHED ALL RIGHTS RESERVED UNDER THE COPYRIGHT LAWS.					
U-CABLE GUARD					
SIZE B	CAT / PART / ASSY NO. SEE CHART	DWG NO. SA6531	REV B		
DO NOT SCALE THIS DRAWING	DRN BY HOEK	DATE 11/12/18	SHEET 1 OF 1		